



Developer : RAJ CONSTRUCTION

RAJ TOWER

2 Bedroom & 3 Bedroom Flats

DASHRATHA, NEW BYEPASS ROAD, NEAR SIPARA BRIDGE, PATNA
MOB.: 9334116265, 9934615530, 9905998138

RAJ CONSTRUCTION introduces the first multi-storied apartment '**RAJ TOWER**' in the city of Patna (Dashratha, Sipara) and offers a peaceful life to individuals and families. Its prime location with easy access to most important places makes a lifetime asset for your family. Walk into the and Vatika enjoy the feeling of luxury and quality.

Top View of Raj Tower

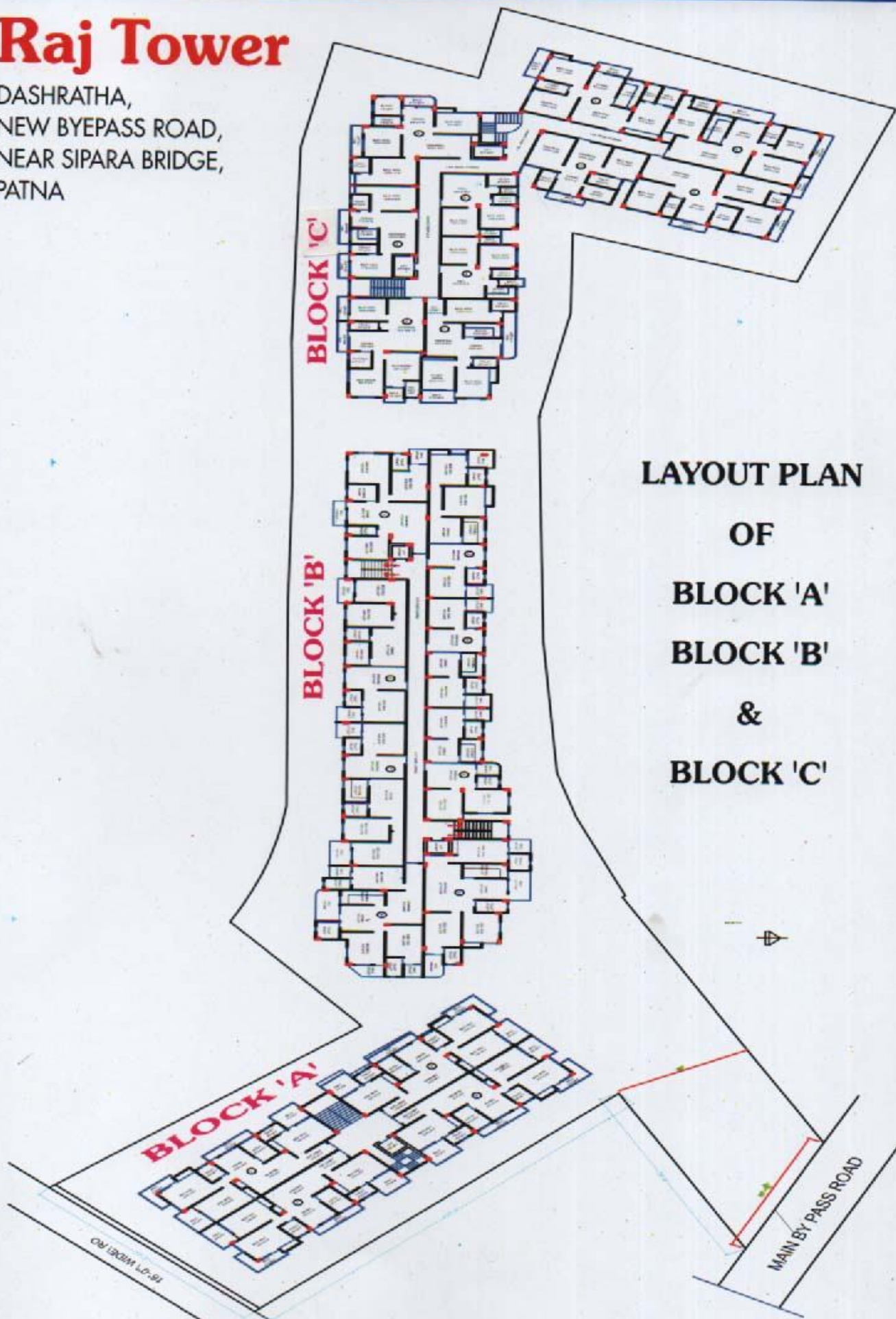


Raj Tower Preview



Raj Tower

DASHRATHA,
NEW BYEPASS ROAD,
NEAR SIPARA BRIDGE,
PATNA

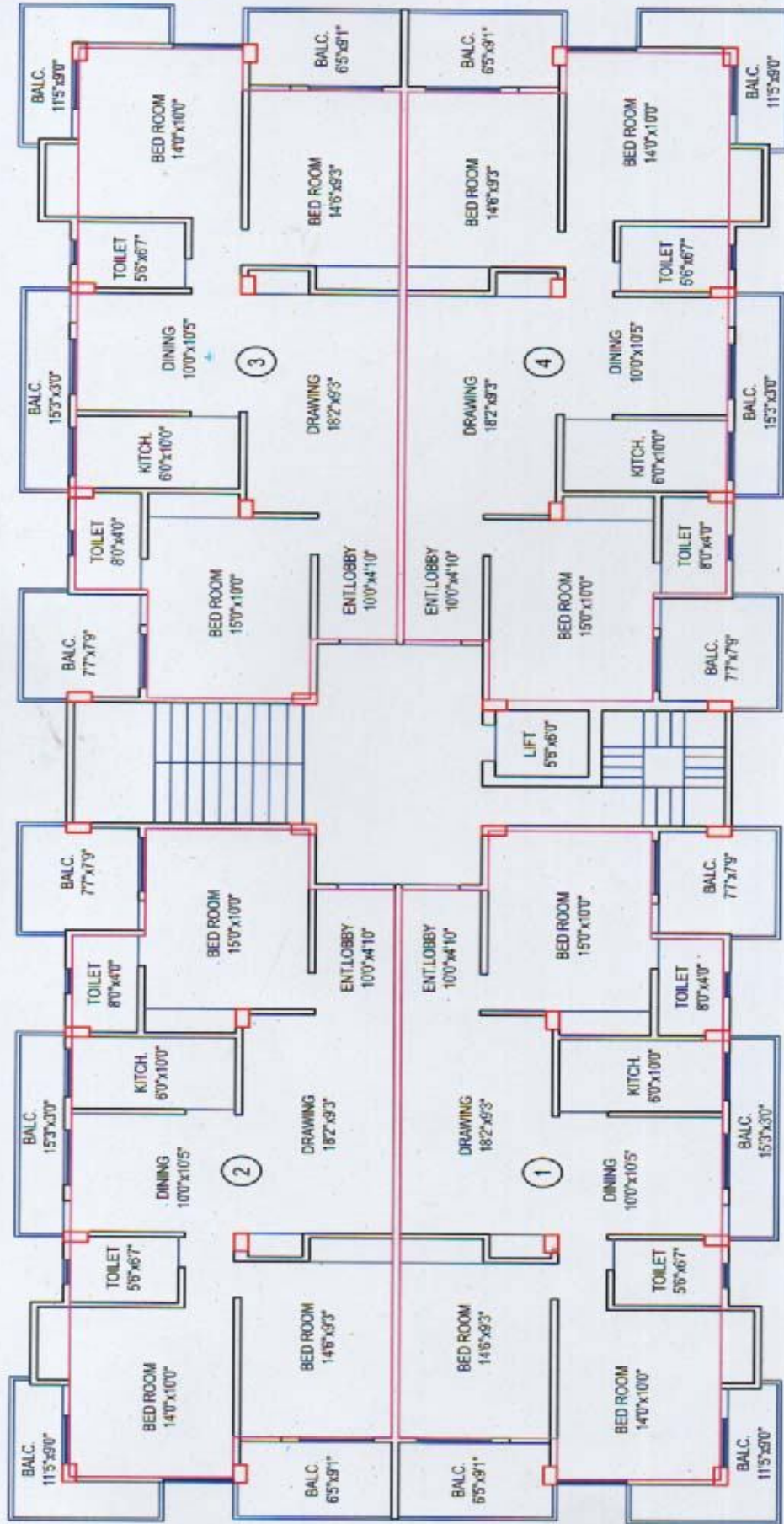


LAYOUT PLAN
OF
BLOCK 'A'
BLOCK 'B'
&
BLOCK 'C'

OR 1/2000 L.P.-91

MAIN BYPASS ROAD

BLOCK - 'A'



AREA STATEMENT

TYPE	BUILT UP AREA	SUPER B/U AREA	CARPET AREA
1	1270 sq.ft.	1693 sq.ft.	970 sq.ft.
2	1270 sq.ft.	1693 sq.ft.	970 sq.ft.
3	1270 sq.ft.	1693 sq.ft.	970 sq.ft.
4	1270 sq.ft.	1693 sq.ft.	970 sq.ft.

DEVELOPERS :

M/S RAJ CONSTRUCTION
NEW CHITRAGUPTA NAGAR, PATNA

BLOCK - 'A'

ARCHITECT

CITY PLANNER
NEHRU NAGAR, PATNA

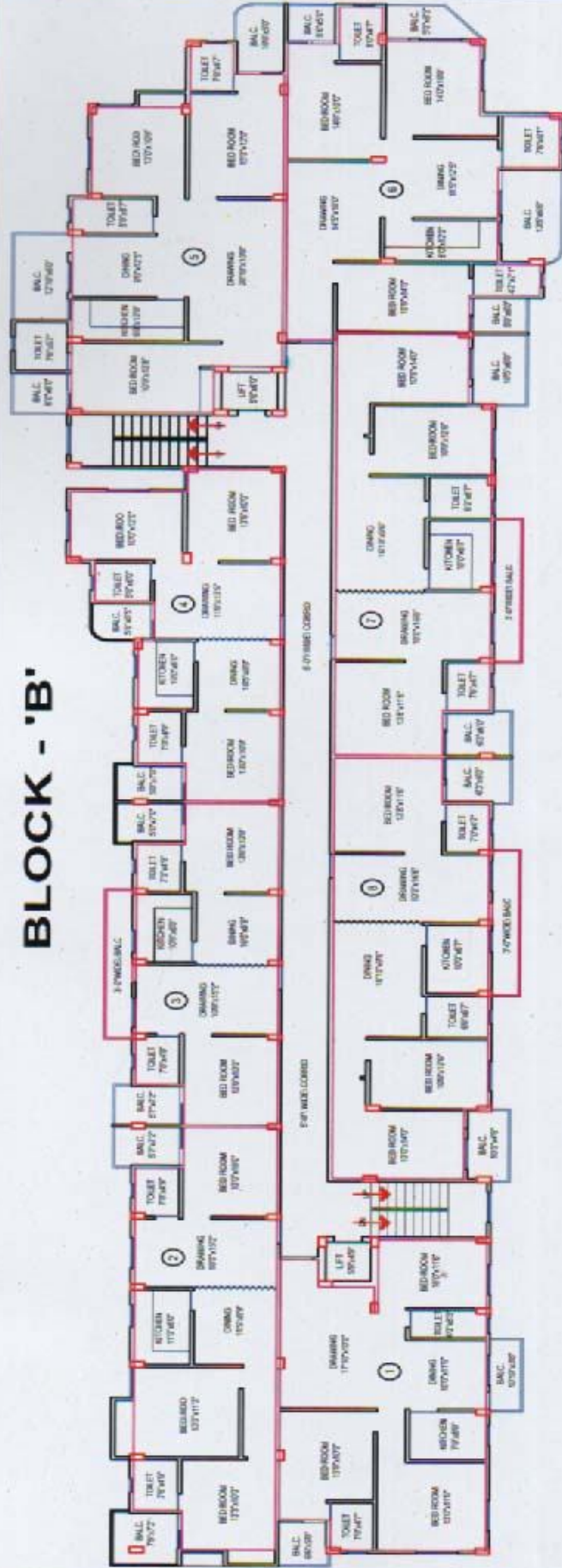
NORTH



SHEET TITLE :

TYPICAL FLOOR PLAN

BLOCK - 'B'



AREA STATEMENT

TYPE	BUILT UP AREA	SUPER BU AREA	CARPET AREA	TYPE	BUILT UP AREA	SUPER BU AREA	CARPET AREA
1	1050 sq.ft.	1400 sq.ft.	920 sq.ft.	5	1280 sq.ft.	1706 sq.ft.	1000 sq.ft.
2	1070 sq.ft.	1426 sq.ft.	885 sq.ft.	6	1260 sq.ft.	1680 sq.ft.	1020 sq.ft.
3	800 sq.ft.	1070 sq.ft.	660 sq.ft.	7	1180 sq.ft.	1573 sq.ft.	970 sq.ft.
4	910 sq.ft.	1213 sq.ft.	790 sq.ft.	8	1170 sq.ft.	1560 sq.ft.	970 sq.ft.

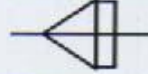
DEVELOPERS :
M/S RAJ CONSTRUCTION
 NEW CHITRAGUPTA NAGAR, PATNA

SHEET TITLE :
TYPICAL FLOOR PLAN

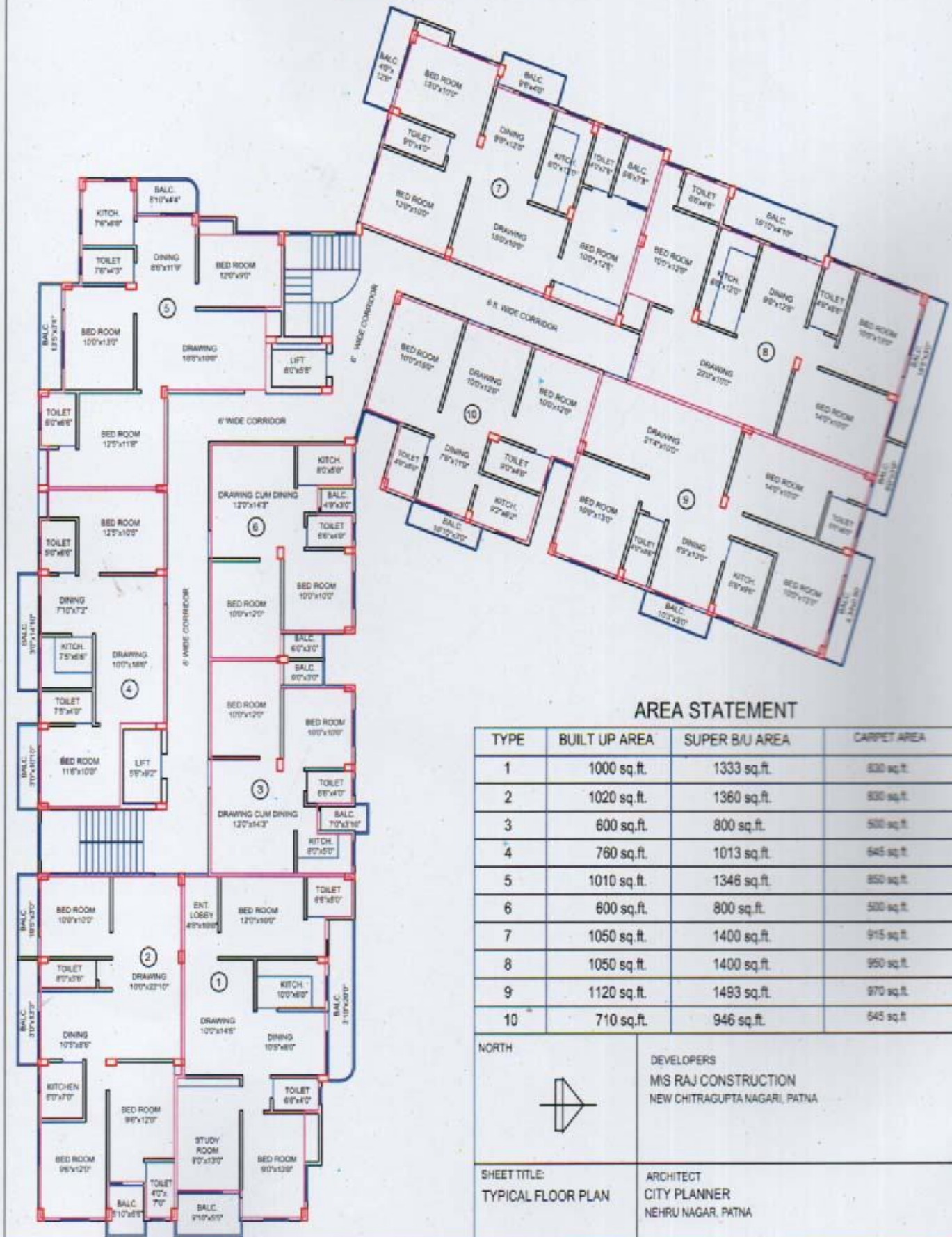
ARCHITECT

CITY PLANNER
 NEHRU NAGAR,
 PATNA

NORTH



BLOCK - 'C'



AREA STATEMENT

TYPE	BUILT UP AREA	SUPER B/U AREA	CARPET AREA
1	1000 sq.ft.	1333 sq.ft.	830 sq.ft.
2	1020 sq.ft.	1360 sq.ft.	830 sq.ft.
3	600 sq.ft.	800 sq.ft.	500 sq.ft.
4	760 sq.ft.	1013 sq.ft.	645 sq.ft.
5	1010 sq.ft.	1346 sq.ft.	850 sq.ft.
6	600 sq.ft.	800 sq.ft.	500 sq.ft.
7	1050 sq.ft.	1400 sq.ft.	915 sq.ft.
8	1050 sq.ft.	1400 sq.ft.	950 sq.ft.
9	1120 sq.ft.	1493 sq.ft.	970 sq.ft.
10	710 sq.ft.	946 sq.ft.	645 sq.ft.

NORTH



DEVELOPERS
M/S RAJ CONSTRUCTION
NEW CHITRAGUPTA NAGARI, PATNA

SHEET TITLE:
TYPICAL FLOOR PLAN

ARCHITECT
CITY PLANNER
NEHRU NAGAR, PATNA